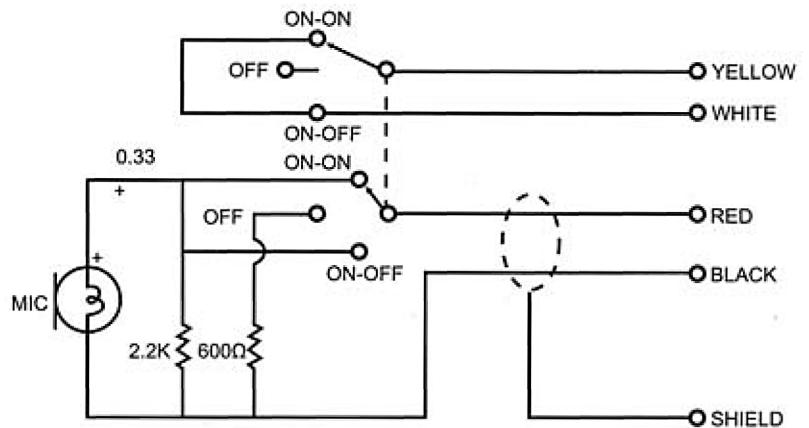


# INSTALLATION AND OPERATION MANUAL

## AMX526 Desk Paging Microphone

The AMX526 has been an industry standard in desk paging applications for over 10 years. The AMX526 represents great value for money in a rugged, great sounding microphone.



## SPECIFICATIONS

Directional Characteristics	Uni-Directional
Frequency Response	80 ~ 12,000Hz
Impedence	600Ω
Sensitivity	-70dB ± 3db
Weight	960g (without cord)
Cord	2.0M
Housing	Die-Cast Zinc
Finish	Coating