

ATS10 Shock Absorbent Table Stand

OVERVIEW

The ATS series are shock mounted table stands designed for professional audio installations. The ATS10 is designed for use with dynamic gooseneck microphones or phantom powered gooseneck condenser microphones such as the Audix ADX series, MG series, and Micropod series. The ATS10 table stand features a heavy duty die cast base, noise free on-off switch, LED indicator, and standard XLR connectors for input and output. Designed for durability, stability, and high performance, the ATS10 provides an element of professionalism to any audio or A/V installation. Applications for the ATS10 include conferencing, podium, lectern, classroom, courtroom, boardroom, and House of Worship.

MODEL VARIATIONS

ATS1 - Same as above with programmable on/off switch.

ATS1L - Same as ATS1 with logic.

OPERATION [Refer to figures below]

Important: Before connecting or disconnecting any of the audio cables to the ATS10, be sure that the channel volume is off or muted on the mixing device.

To connect the microphone to the ATS10 table stand, align the XLR pins of the microphone to the XLR pins on top of the base. Gently push down until the connectors “click” into place. [Figure 1]. To remove the microphone, press the tab on the top of the base to release the internal locking tab and the microphone can easily be pulled out of the connector. [Figure 2]. To connect the audio, use a balanced microphone cable and plug the XLRf connector into the XLRm connector on the back side of the ATS10 base until it “clicks” into place. To disconnect the cable, press the tab on the microphone cable XLRf connector and pull the cable out. [Figure 3].

On-off switch: To activate the microphone, the switch will need to be pressed into the “on” position. When phantom power is present, the LED will turn red to indicate that the microphone is active. When the switch is the off position, the microphone will be muted and the LED will show no light. [Figure 4]

Important: Most gooseneck microphones are condenser microphones and require phantom power. For condenser microphones to operate, phantom power (11-52 volts) must be supplied to the microphone from either the mixing console or a phantom power supply (such as the Audix APS2).



FEATURES

- Simple to operate
- Heavy Duty die cast metal base for gooseneck style microphones
- Noise free on-off switch with LED indicator
- Operates on 11 – 52 volts phantom power for condenser microphones
- Standard 3-pin XLR-type connector for microphone input and output
- Non reflective black matte finish



Figure 1



Figure 2



Figure 3



Figure 4

ATS10

SPECIFICATIONS

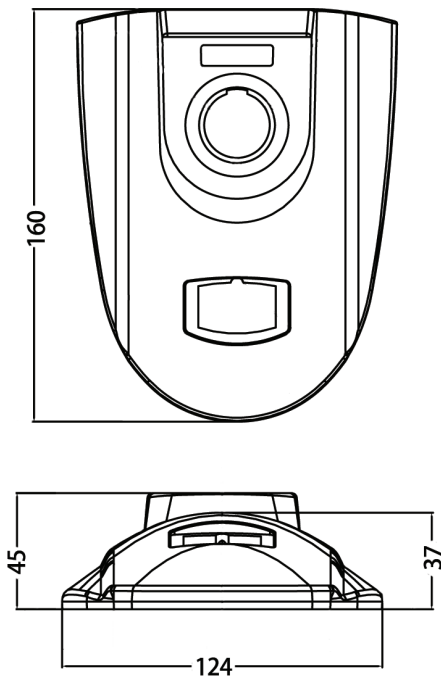
On-Off Switch	Noise free mechanical push-on / push-off
Input connector	3-pin XLRf-type
Output connector	3-pin XLRm-type
Off (mute) attenuation	45 dB minimum
Phantom power requirements	11-52 V DC, 2 mA
Finish	Black matte
Weight	1.4 kg / 3 lbs
Length	160 mm / 6.9 in
Width	124 mm / 5.9 in
Height	45 mm / 1.8 in

ARCHITECT AND ENGINEER SPECIFICATIONS

The table stand shall be constructed from die a cast metal base to provide maximum stability on a desk, podium, or table. The table stand shall be designed to work with any dynamic gooseneck or phantom powered condenser gooseneck microphone operating between 11-52 volts phantom and having a standard 3-pin XLRm connector. The table stand shall incorporate a noise free mechanical push on / push off which will provide minimum 45 dB of attenuation when in the "off" position. The table stand shall incorporate an LED light to indicate when the system is in the "on" mode. The table stand shall have a 3 pin XLR-f connector for audio input and a 3 pin XLR-m connector for output. The stand shall be finished in non-reflective matte black finish and have dimensions of 160 mm (6.3 inches) length, 124 mm (5.9 inches) width, and 45 mm (1.8 inches) maximum height. The table stand shall be the ATS10.

Further miking techniques may be found at www.audixusa.com.

DIMENSIONS (mm)



PRODUCT REGISTRATION: Please register your product online at www.audixusa.com/docs_12/about/product_registration.shtml.

SERVICE AND WARRANTY: This Audix product is under warranty for a period of 1 year to be free of defects in material and workmanship. In the event of a product failure due to materials or workmanship, Audix will repair or replace said product at no charge with proof of purchase. Audix does not pay or reimburse shipping costs for warranty repairs or returns. The warranty excludes any causes other than manufacturing defects, such as normal wear, abuse, environmental damage, shipping damage or failure to use or maintain the product per the supplied instructions. No Implied Warranties: All implied warranties, including but not limited to implied warranties of merchantability and fitness for a particular purpose are hereby excluded. The liability of Audix, if any, for damages relating to allegedly defective products shall be limited to the actual price paid by Dealer for such products and shall in no event include incidental or consequential damages of any kind. Should your microphone fail in any way, please contact the Audix Service department at 503.682.6933. A Return Authorization is required before returning any product. OTHER THAN THIS WARRANTY, AUDIX MAKES NO WARRANTIES, EXPRESS OR IMPLIED, WITH RESPECT TO THE PRODUCTS, THE USE OF THE PRODUCTS, THE PERFORMANCE OF THE PRODUCTS. AUDIX SHALL NOT BE LIABLE FOR SPECIAL INCIDENTAL, CONSEQUENTIAL, INDIRECT OR SIMILAR DAMAGES ARISING FROM OR BASED ON THE SALE, USE, STORAGE OR DISPOSAL OF THE PRODUCTS, AUDIX'S SERVICE WORK, BREACH OF WARRANTY, BREACH OF CONTRACT. NEGLIGENCE, OR ANY OTHER THEORY OF LIABILITY, EVEN IF AUDIX HAS BEEN ADVISED OF THE POSSIBILITY OF SUCH DAMAGES.

ALL SPECIFICATIONS SUBJECT TO CHANGE WITHOUT NOTICE.

CE www.audixusa.com
 503.682.6933 Fax: 503.682.7114
 Audix Corporation 9400 SW Barber St. Wilsonville, OR 97070

AUDIX